

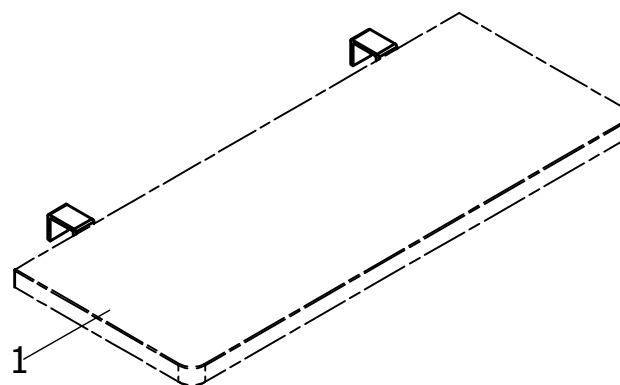
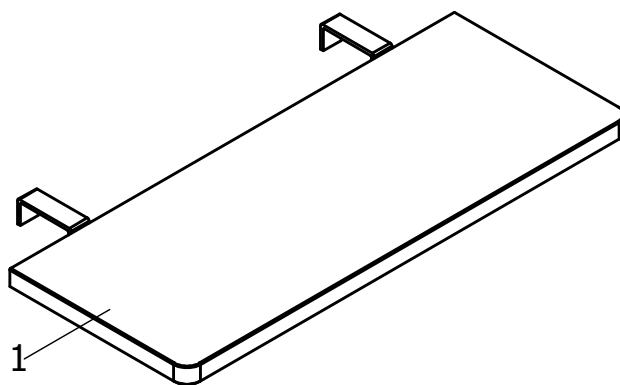
bopita®

ASSEMBLY INSTRUCTION
MONTAGE HANDLEIDING
MONTAGE ANLEITUNG
NOTICE DE MONTAGE
MANUAL DE MONTAJE

UK
NL
D
F
ESP

MODEL
TYPE
COLOUR
ART.CODE

: UNIVERSAL
: SIDE TABLE
: MATT BLACK
: 400146.12


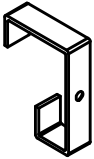
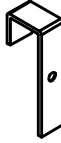


Distributor:

BOPITA
Energieweg 1
6662 NS Elst
The Netherlands

www.bopita.com

17.04.2023

<p>A</p> 	<p>B</p> 	<p>C</p> 
<p>M6X16 2X</p>	<p>2X</p>	<p>2X</p>
<p>artcode: 431027</p>	<p>artcode: 973057</p>	<p>artcode: 973056</p>

